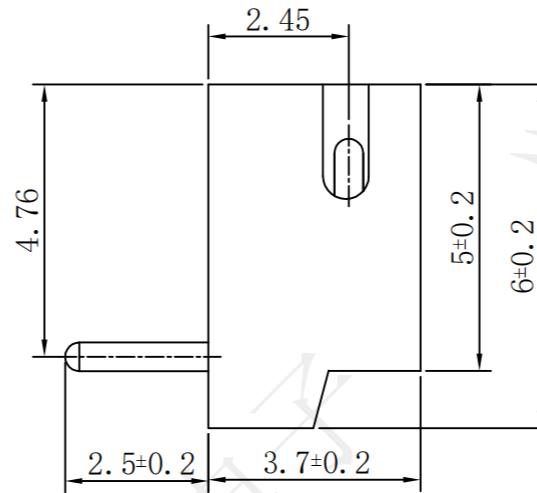
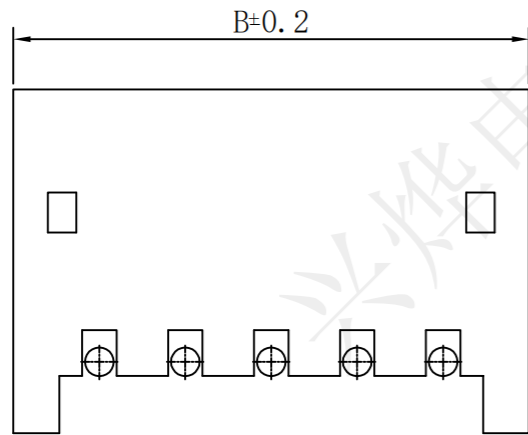
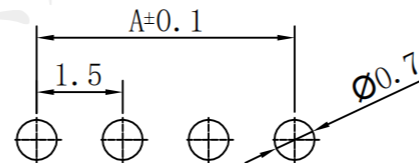
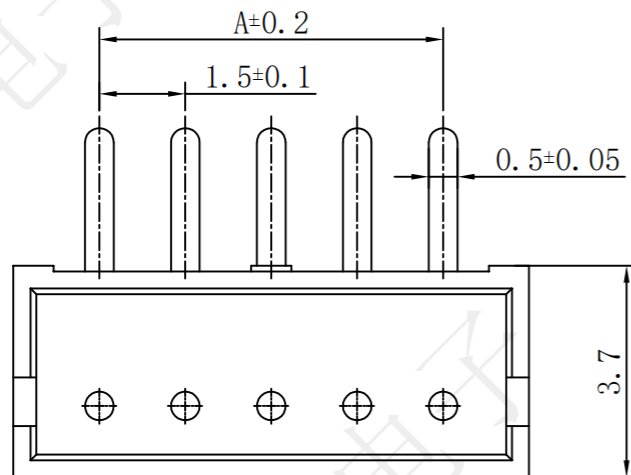


REV.	ECN NO.	DESCRIPTION	DRAW	APPD.	DATE
A	---				



Operating temperature: -25 °C~85 °C  
 Rated loading: 1A 100V AC,DC  
 Contact resistance: 20mΩ Max  
 Insulation resistance: 500MΩ Min  
 Withstanding voltage: AC 500V (50HZ)/min  
 Material: PA9T  
 PIN Brass Tin-plated



PCB LAYOUT

受控文件

PIN数	料号	尺寸	
		A	B
2P	CZB15259	1.50	4.50
3P	CZB15260	3.00	6.00
4P	CZB15261	4.50	7.50
5P	CZB15262	6.00	9.00
6P	CZB15263	7.50	10.50
7P	CZB15264	9.00	12.00
8P	CZB15265	10.50	13.50
9P	CZB15266	12.00	15.00
10P	CZB15267	13.50	16.50
11P	CZB15268	15.00	18.00

深圳市兴烨电子有限公司  
 Shenzhen XingYe Electronics co., Ltd

Series Name :  
 1.5-nAW米黄色

Product P Name :

TOLERANCE		
.XX	±0.30	X.° ±2°
.XX	±0.20	X.° ±1°
.XXX	±0.10	XX° ±0.5°
UNITS	mm	

APPD: 陈爱光  
 CHED: 施立敏  
 DRAW: 马洪飞

Part NO:

SCALE	SHEET	REV.
1:1	1/1	A1