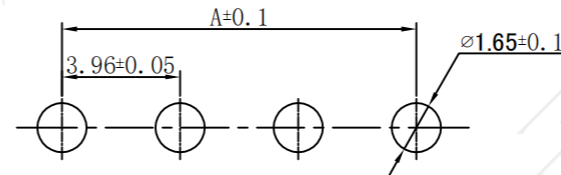
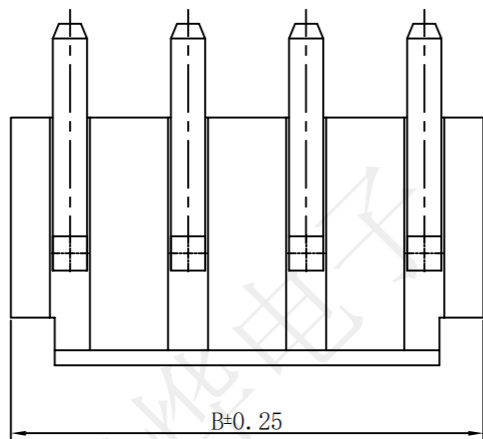
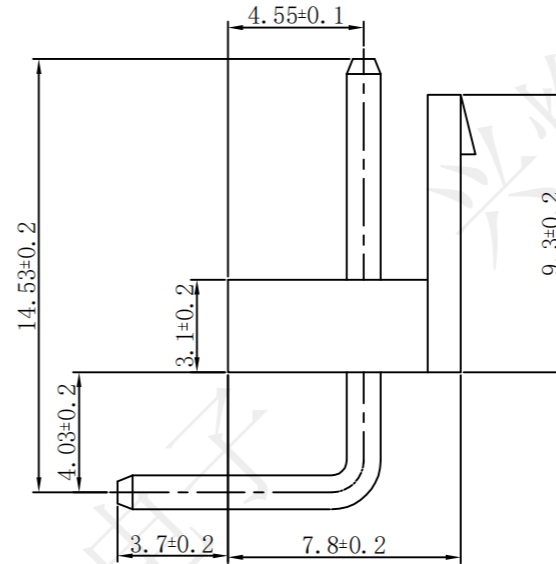
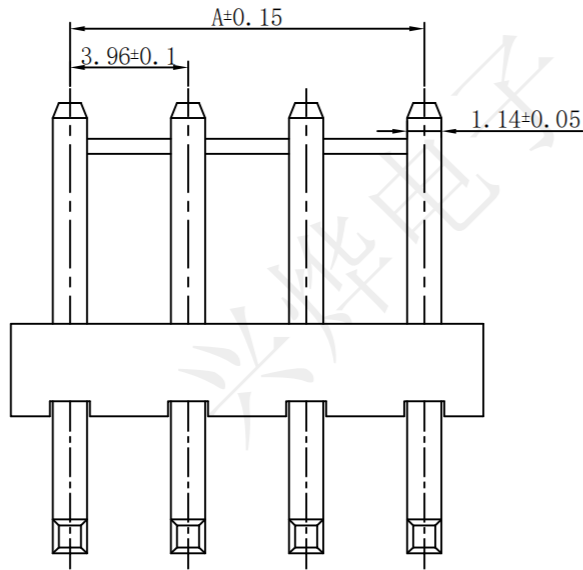


REV.	ECN NO.	DESCRIPTION	DRAW	APPD.	DATE
A	---				



Operating temperature: -25 °C ~ 85 °C  
 Rated loading: 7A 125V AC, DC  
 Contact resistance: 20mΩ Max  
 Insulation resistance: 1000MΩ Min  
 Withstanding voltage: AC 1500V (50HZ)/min  
 Material: PA66  
 PIN brass Tin-plated

受控文件



PCB LAYOUT

PIN数	料号	尺寸	
		A	B
2P	CZB15291	3.96	7.92
3P	CZB15292	7.92	11.88
4P	CZB15293	11.88	15.84
5P	CZB15294	15.84	19.80
6P	CZB15295	19.80	23.76
7P	CZB15296	23.76	27.72
8P	CZB15297	27.72	31.68
9P	CZB15298	31.68	35.64
10P	CZB15299	35.64	39.60
11P	CZB15300	39.60	43.56
12P	CZB15301	43.56	47.52

深圳市兴烨电子有限公司  
 Shenzhen XingYe Electronics co., Ltd

TOLERANCE		
.XX ±0.30	X.° ±2°	APPD: 陈爱光
.XX ±0.20	x° ±1°	CHEd: 施立敏
.XXX ±0.10	.XX° ±0.5°	DRAW: 马洪飞
UNITS	mm	

Series Name : VH-nA高弯

Product Name :

Part NO:

	SCALE	SHEET	REV.
	1:1	1/1	A1