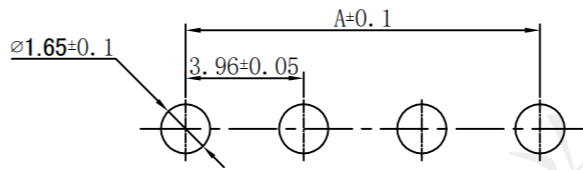
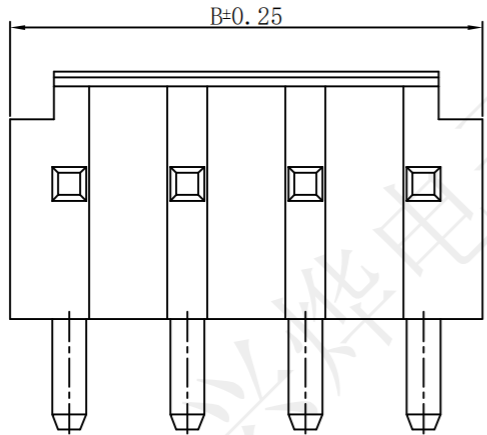


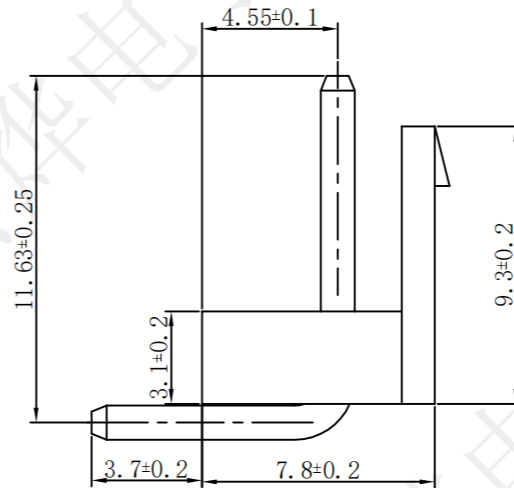
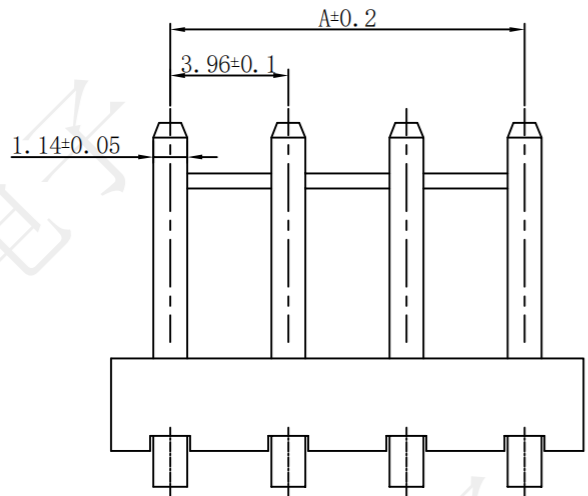
REV.	ECN NO.	DESCRIPTION	DRAW	APPD.	DATE
A	---				



PCB LAYOUT



Operating temperature: -25°C~85°C  
 Rated loading: 7A 125V AC, DC  
 Contact resistance: 20mΩ Max  
 Insulation resistance: 1000MΩ Min  
 Withstanding voltage: AC 1500V (50HZ)/min  
 Material: PA66  
 PIN brass Tin-plated



**受控文件**

PIN数	料号	尺寸	
		A	B
2P	CZB15280	3.96	7.92
3P	CZB15281	7.92	11.88
4P	CZB15282	11.88	15.84
5P	CZB15283	15.84	19.80
6P	CZB15284	19.80	23.76
7P	CZB15285	23.76	27.72
8P	CZB15286	27.72	31.68
9P	CZB15287	31.68	35.64
10P	CZB15288	35.64	39.60
11P	CZB15289	39.60	43.56
12P	CZB15290	43.56	47.52

深圳市兴烨电子有限公司  
 Shenzhen XingYe Electronics co., Ltd

Series Name : VH-nA平弯

Product Name :

TOLERANCE		
XX ±0.30	X.° ±2°	APPD: 陈爱光
.XX ±0.20	x° ±1°	CHEd: 施立敏
.XXX ±0.10	.XX° ±0.5°	DRAW: 马洪飞
UNITS	mm	

Part NO:

	SCALE	SHEET	REV.
	1:1	1/1	A1