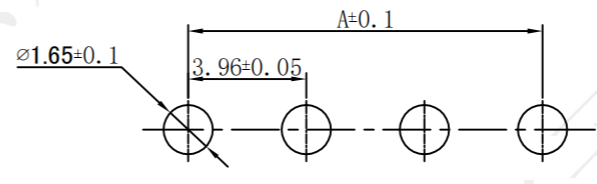
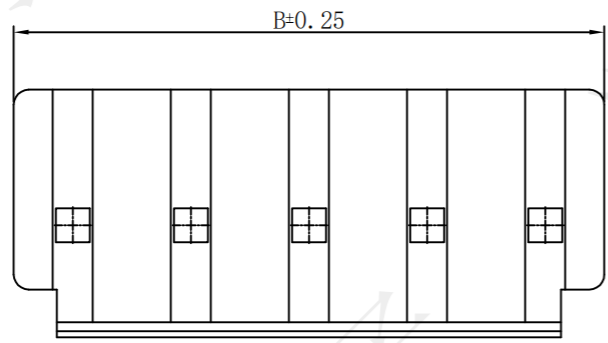
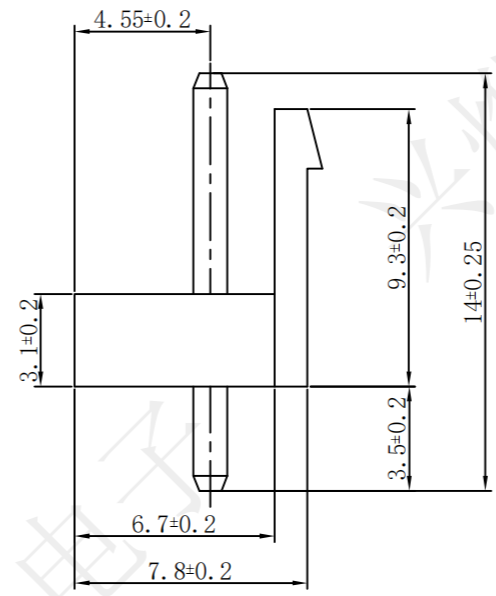
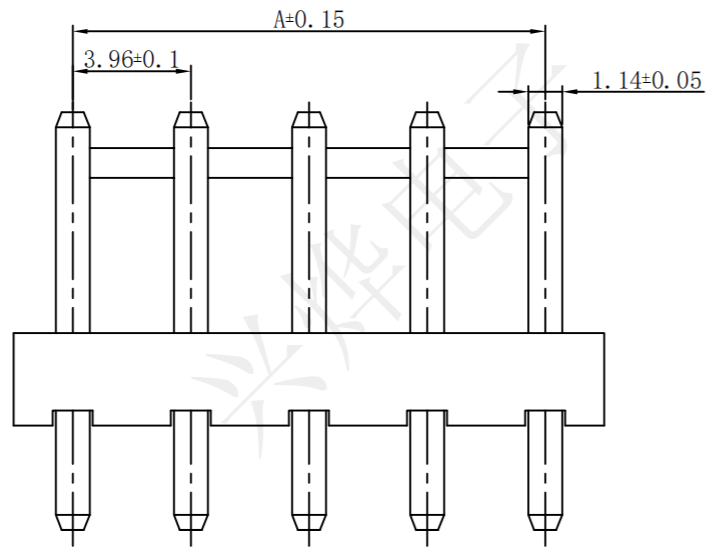


REV.	ECN NO.	DESCRIPTION	DRAW	APPD.	DATE
A	---				



Operating temperature: $-25^{\circ}\text{C}\sim 85^{\circ}\text{C}$
 Rated loading: 7A 125V AC, DC
 Contact resistance: 20mΩ Max
 Insulation resistance: 1000MΩ Min
 Withstanding voltage: AC 1500V (50HZ)/min
 Material: PA66
 PIN brass Tin-plated

受控文件

PIN数	料号	尺寸	
		A	B
2P	CZB15269	3.96	7.92
3P	CZB15270	7.92	11.88
4P	CZB15271	11.88	15.84
5P	CZB15272	15.84	19.80
6P	CZB15273	19.80	23.76
7P	CZB15274	23.76	27.72
8P	CZB15275	27.72	31.68
9P	CZB15276	31.68	35.64
10P	CZB15277	35.64	39.60
11P	CZB15278	39.60	43.56
12P	CZB15279	43.56	47.52

深圳市兴烨电子有限公司
 Shenzhen XingYe Electronics co., Ltd

Series Name :
 VH-nA米黄色耐温带扣

TOLERANCE		
.XX	± 0.30	$x^{\circ} \pm 2^{\circ}$
.XX	± 0.20	$x^{\circ} \pm 1^{\circ}$
.XXX	± 0.10	$.XX^{\circ} \pm 0.5^{\circ}$
UNITS	mm	

Product Name :		
Part NO:		
	SCALE	SHEET
	1:1	1/1
		REV.
		A1

APPD: 陈爱光
 CHED: 施立敏
 DRAW: 马洪飞