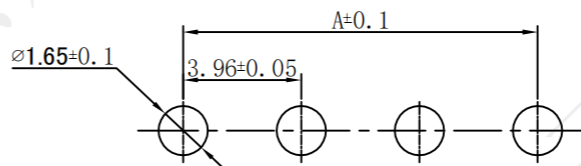
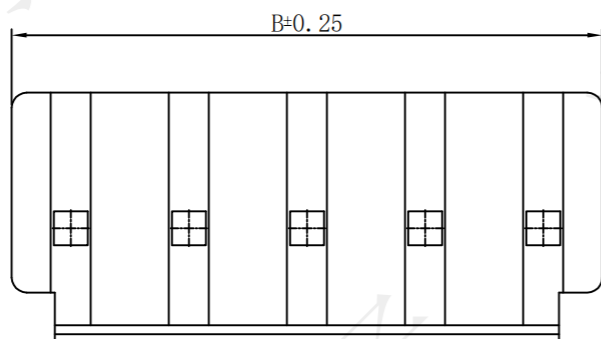
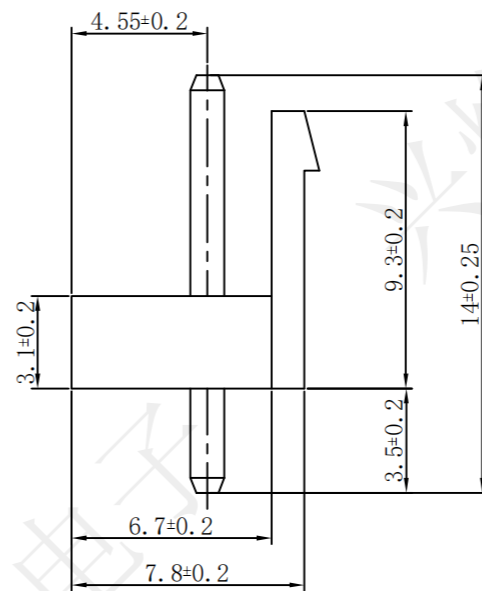
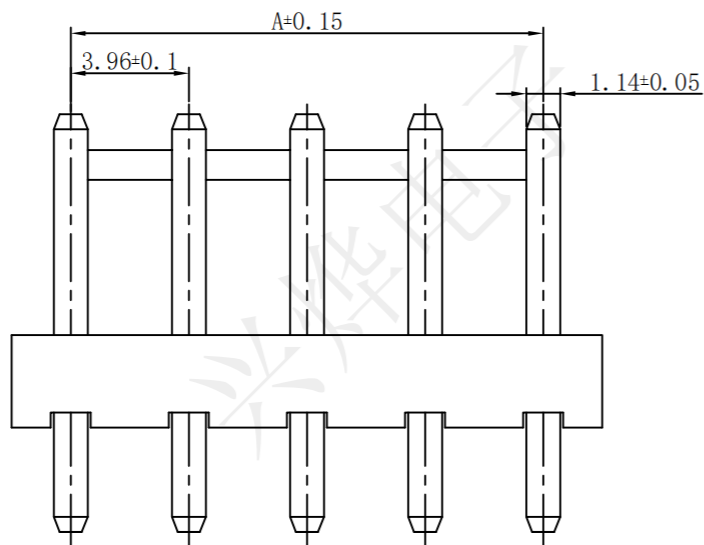


REV.	ECN NO.	DESCRIPTION	DRAW	APPD.	DATE
A	---				



PCB LAYOUT



Operating temperature: -25 °C~85 °C
 Rated loading: 5A 250V AC, DC
 Contact resistance: 10mΩ Max
 Insulation resistance: 1000MΩ Min
 Withstanding voltage: AC 1000V (50HZ)/min
 Material: PA66
 PIN brass Tin-plated

受控文件

PIN数	料号	尺寸	
		A	B
2P	CZB15269	3.96	7.92
3P	CZB15270	7.92	11.88
4P	CZB15271	11.88	15.84
5P	CZB15272	15.84	19.80
6P	CZB15273	19.80	23.76
7P	CZB15274	23.76	27.72
8P	CZB15275	27.72	31.68
9P	CZB15276	31.68	35.64
10P	CZB15277	35.64	39.60
11P	CZB15278	39.60	43.56
12P	CZB15279	43.56	47.52

深圳市兴烨电子有限公司
 ShenZhen XingYe Electronics co., Ltd

TOLERANCE		
XX ±0.30	X° ±2°	APPD: 陈爱光
.XX ±0.20	x° ±1°	CHEd: 施立敏
.XXX ±0.10	.XX° ±0.5°	DRAW: 马洪飞
UNITS	mm	

Series Name : VH-nA

Product Name :

Part NO:

	SCALE	SHEET	REV.
	1:1	1/1	A1