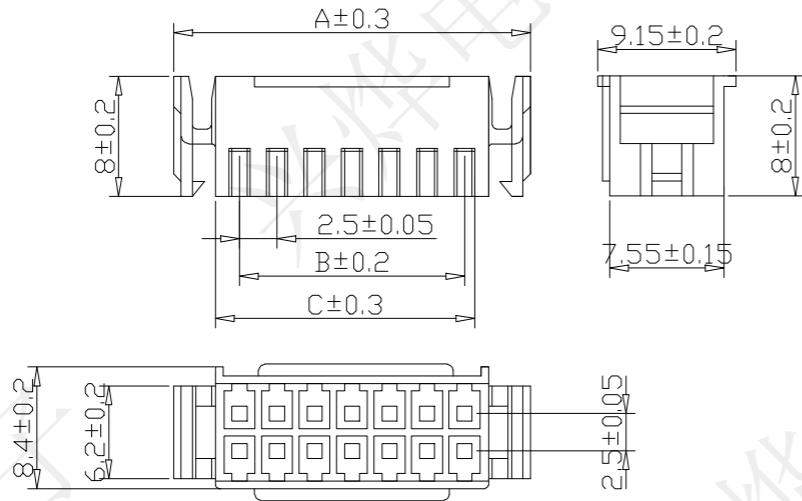


REV.	ECN NO.	DESCRIPTION	DRAW	APPD.	DATE
A	---				

Operating temperature:-25℃~85℃
 Rated loading:3A 250V AC,DC
 Contact resistance:20mΩ Max
 Insulation resistance:1000MΩ Min
 Withstanding voltage:AC 1000V (50HZ)/min
 Material: PA66 FV2
 插针: 黄铜
 Applicable Wires:AWG 28#~22#



PIN数	料号	尺寸		
		A	B	C
2	CZB15457	11.4	2.5	5.8
3	CZB15458	13.9	5.0	8.3
4	CZB15459	16.4	7.5	10.8
5	CZB15460	18.9	10.0	13.3
6	CZB15461	21.4	12.5	15.8
7	CZB15462	23.9	15.0	18.3
8	CZB15463	26.4	17.5	20.8
9	CZB15464	28.9	20.0	23.3
10	CZB15465	31.4	22.5	25.8
11	CZB15466	33.9	25.0	28.3
12	CZB15467	36.4	27.5	30.8
13	CZB15468	38.9	30.0	33.3
14	CZB15469	41.4	32.5	35.8
15	CZB15470	43.9	35.0	38.3
16	CZB15471	46.4	37.5	40.8
17	CZB15472	48.9	40.0	43.3
18	CZB15473	51.4	42.5	45.8
19	CZB15474	53.9	45.0	48.3
20	CZB15475	56.4	47.5	50.8



受控文件

深圳市兴烨电子有限公司 ShenZhen XingYe Electronics co., Ltd			
TOLERANCE			
X.X ±0.30	X.° ±2°	APPD: 陈爱光	
.XX ±0.20	.X° ±1°	CHED: 施立敏	
.XXX ±0.10	XX° ±0.5°	DRAW: 马洪飞	
UNITS	mm		

Series Name : XHD-2XnA			
Product Name :			
Part NO:			
	SCALE	SHEET	REV.
	1:1	1/1	A1