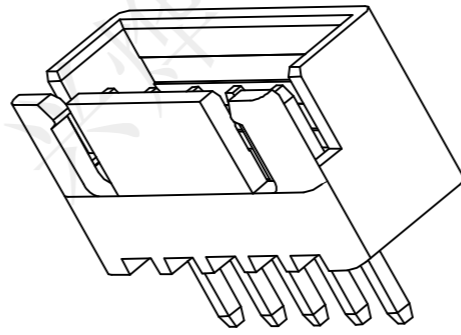
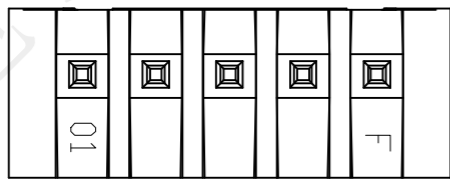
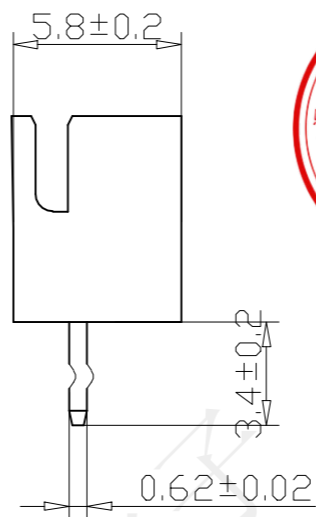
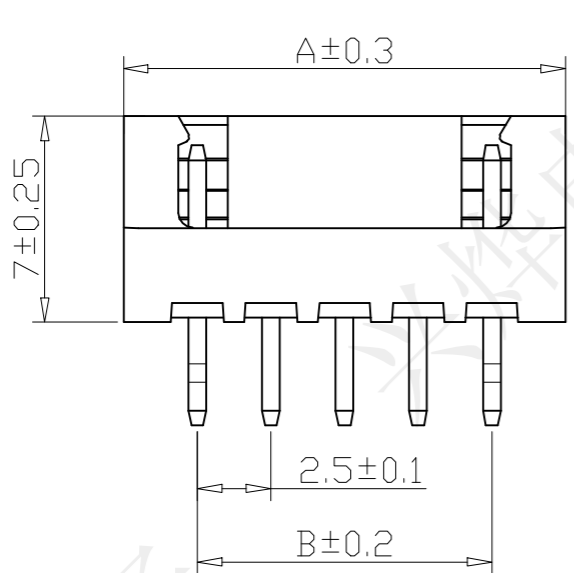


REV.	ECN NO.	DESCRIPTION	DRAW	APPD.	DATE
A	---				



受控文件

Operating temperature: -25°C~85°C  
 Rated loading: 3A 250V AC, DC  
 Contact resistance: 20mΩ Max  
 Insulation resistance: 1000MΩ Min  
 Withstanding voltage: AC 1000V (50HZ)/min  
 Material: PA66  
 PIN brass Tin-plated

PIN数	料号	尺寸	
		A	B
2P	CZB25666	7.50	2.50
3P	CZB25667	10.00	5.00
4P	CZB25668	12.50	7.50
5P	CZB25669	15.00	10.00
6P	CZB25670	17.50	12.50
7P	CZB25671	20.00	15.00
8P	CZB25672	22.50	17.50
9P	CZB25673	25.00	20.00
10P	CZB25674	27.50	22.50
11P	CZB25675	30.00	25.00
12P	CZB25676	32.50	27.50
13P	CZB25677	35.00	30.00
14P	CZB25678	37.50	32.50
15P	CZB25679	40.00	35.00
16P	CZB25680	42.50	37.50

**深圳市兴烨电子有限公司**  
 ShenZhen XingYe Electronics co., Ltd

TOLERANCE		
XX	±0.30	X.° ±2°
.XX	±0.20	x° ±1°
.XXX	±0.10	.XX° ±0.5°
UNITS	mm	

范围	>0-3	>3-18	>18-45	>45-100
公差	±0.15	±0.2	±0.3	±0.5

Series Name : XH-nA打K脚			
Product Name :			
Part NO:			
	SCALE	SHEET	REV.
	1:1	1/1	A1

APPD: 陈爱光  
 CHED: 施立敏  
 DRAW: 马洪飞