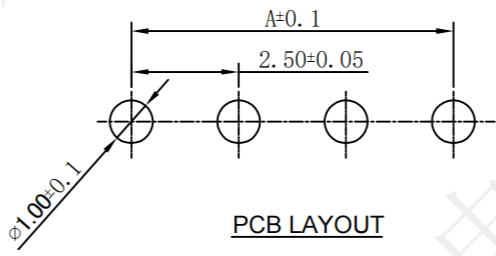
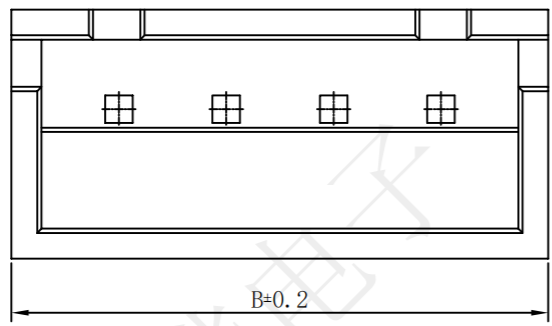
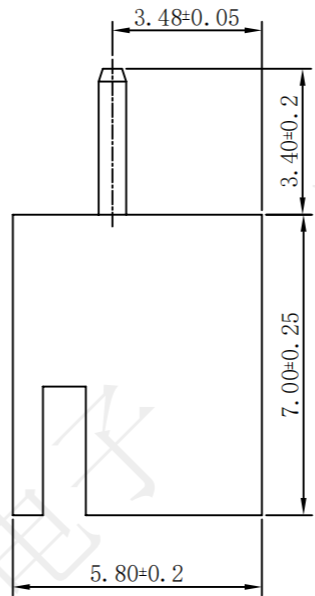
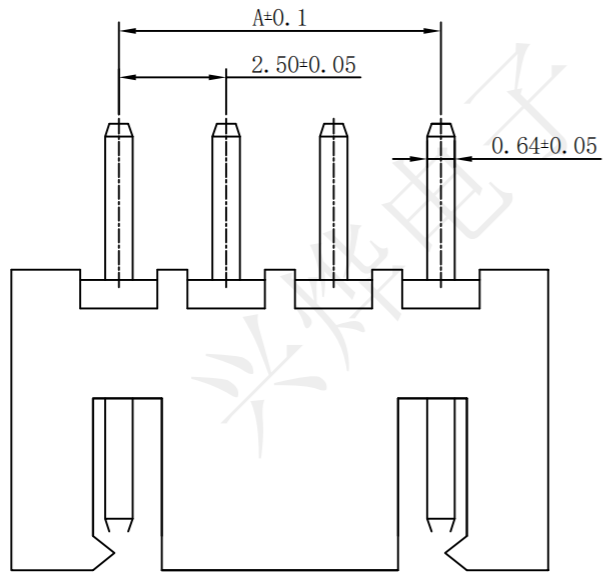


REV.	ECN NO.	DESCRIPTION	DRAW	APPD.	DATE
A	---				

受控文件

Operating temperature:-25℃~85℃
 Rated loading:3A 250V AC,DC
 Contact resistance:20mΩ Max
 Insulation resistance:1000MΩ Min
 Withstanding voltage:AC 1000V (50HZ)/min
 Material: PA66 增强尼龙
 PIN brass Tin-plated



PIN数	料号	尺寸	
		A	B
2P	CZB15163	2.50	7.50
3P	CZB15164	5.00	10.00
4P	CZB15165	7.50	12.50
5P	CZB15166	10.00	15.00
6P	CZB15167	12.50	17.50
7P	CZB15168	15.00	20.00
8P	CZB15169	17.50	22.50
9P	CZB15170	20.00	25.00
10P	CZB15171	22.50	27.50
11P	CZB15172	25.00	30.00
12P	CZB15173	27.50	32.50
13P	CZB15174	30.00	35.00
14P	CZB15175	32.50	37.50
15P	CZB15176	35.00	40.00

深圳市兴烨电子有限公司
 Shenzhen XingYe Electronics co., Ltd

TOLERANCE		
.XX ±0.30	X.° ±2°	APPD: 陈爱光
.XX ±0.20	x° ±1°	CHEd: 施立敏
.XXX ±0.10	.XX° ±0.5°	DRAW: 马洪飞
UNITS	mm	

Series Name :
XH-nA米黄色耐温

Product Name :

Part NO:

	SCALE	SHEET	REV.
	1:1	1/1	A1