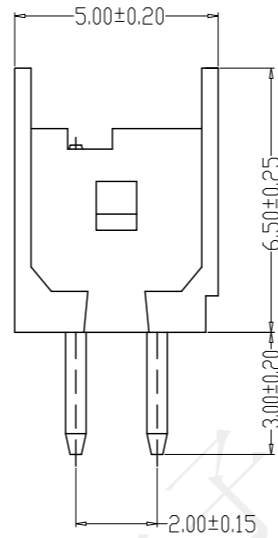
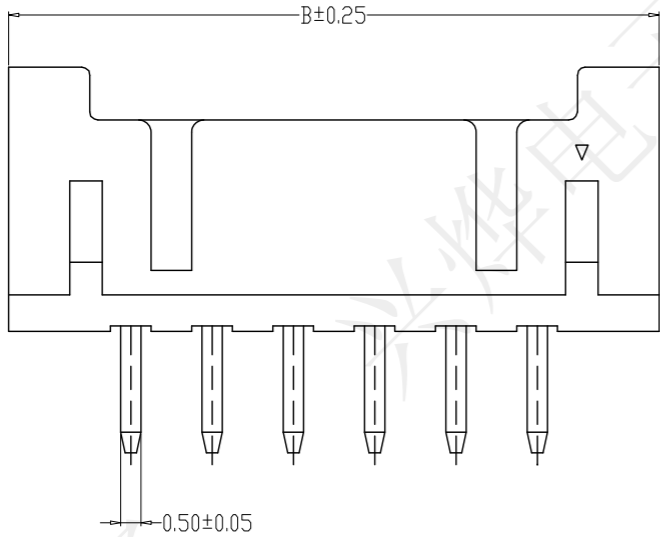


REV.	ECN NO.	DESCRIPTION	DRAW	APPD.	DATE
A	---				

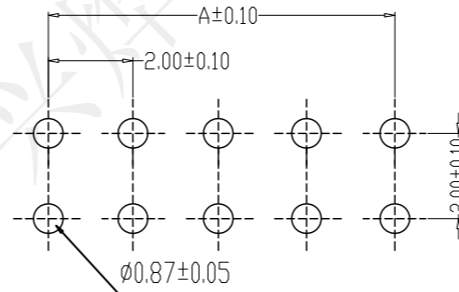
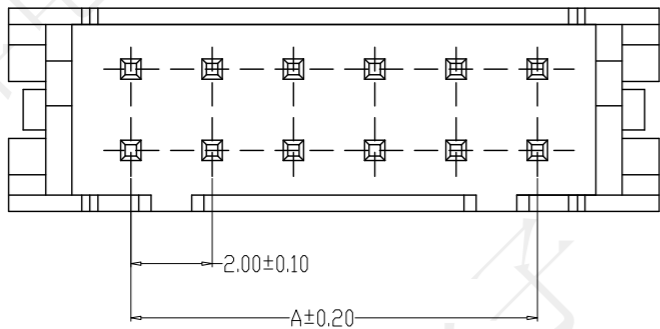


**SPECIFICATIONS**

- 1、Current Rating: 3A AC, DC
- 2、Voltage Rating: 250V AC, DC
- 3、Temperatuer Range:  $-25^{\circ}\text{C} \sim +85^{\circ}\text{C}$
- 4、Contact Resistance:  $20\text{m}\Omega$  Max
- 5、Insulation Resistance:  $1000\text{M}\Omega$  Min
- 6、Withstanding Voltang: 800V AC/minute
- 7、Material: Wafer Nylon66, UL94V-0  
PIN Brass Tin-plated



受控文件



**PCB LAYOUT**

PIN数	料号	尺寸	
		A	B
2X2P	CZH25625	2.00	8.00
2X3P	CZH25626	4.00	10.00
2X4P	CZH25627	6.00	12.00
2X5P	CZH25628	8.00	14.00
2X6P	CZH25629	10.00	16.00
2X7P	CZH25630	12.00	18.00
2X8P	CZH25631	14.00	20.00
2X9P	CZH25632	16.00	22.00
2X10P	CZH25633	18.00	24.00
2X11P	CZH25634	20.00	26.00
2X12P	CZH25635	22.00	28.00
2X20P	CZH25636	38.00	44.00

**深圳市兴烨电子有限公司**  
ShenZhen XingYe Electronics co., Ltd

Series Name : PHD-2\*nA双头带扣

TOLERANCE		
.XX	$\pm 0.30$	$X^{\circ} \pm 2^{\circ}$
.XX	$\pm 0.20$	$X^{\circ} \pm 1^{\circ}$
.XXX	$\pm 0.10$	$.XX^{\circ} \pm 0.5^{\circ}$
UNITS	mm	

Product Name :

Part NO:

APPD: 陈爱光  
CHED: 施立敏  
DRAW: 马洪飞

	SCALE	SHEET	REV.
	1:1	1/1	A1