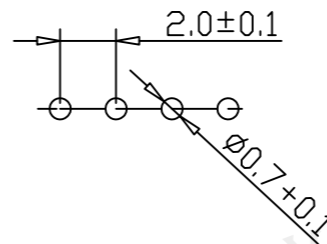
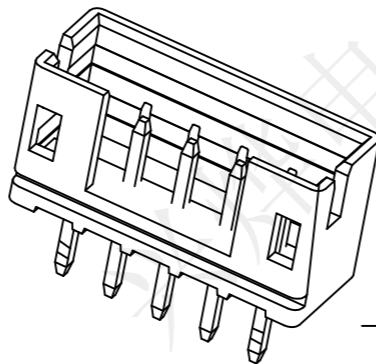
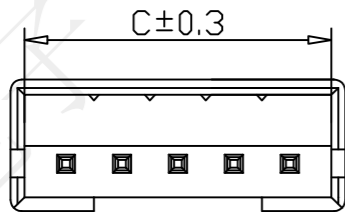
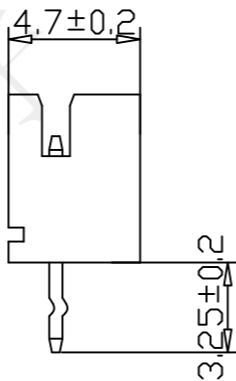
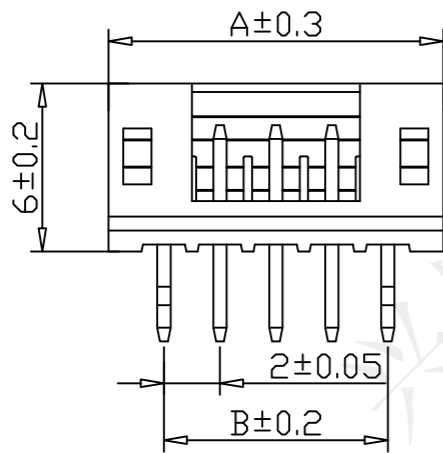


REV.	ECN NO.	DESCRIPTION	DRAW	APPD.	DATE
A	---				



Operating temperature: -25 °C~85 °C  
 Rated loading: 2A 250V AC, DC  
 Contact resistance: 10mΩ Max  
 Insulation resistance: 1000MΩ Min  
 Withstanding voltage: AC 800V (50HZ)/min  
 Material: PA66  
 PIN Brass Tin-plated

受控文件

P位	料号	A-mm	B-mm	C-mm
2P	CZB25637	6.0mm	2.0mm	5.0mm
3P	CZB25638	8.0mm	4.0mm	7.0mm
4P	CZB25639	10.0mm	6.0mm	9.0mm
5P	CZB25640	12.0mm	8.0mm	11.0mm
6P	CZB25641	14.0mm	10.0mm	13.0mm
7P	CZB25642	16.0mm	12.0mm	15.0mm
8P	CZB25643	18.0mm	14.0mm	17.0mm
9P	CZB25644	20.0mm	16.0mm	19.0mm
10P	CZB25645	22.0mm	18.0mm	21.0mm
11P	CZB25646	24.0mm	20.0mm	23.0mm
12P	CZB25647	26.0mm	22.0mm	25.0mm
13P	CZB25648	28.0mm	24.0mm	27.0mm
14P	CZB25649	30.0mm	26.0mm	29.0mm
15P	CZB25650	32.0mm	28.0mm	31.0mm
16P	CZB25651	34.0mm	30.0mm	33.0mm

**深圳市兴烨电子有限公司**  
 Shenzhen XingYe Electronics co., Ltd

TOLERANCE		
XX ±0.30	X° ±2°	APPD: 陈爱光
.XX ±0.20	.X° ±1°	CHED: 施立敏
.XXX ±0.10	XX° ±0.5°	DRAW: 马洪飞
UNITS	mm	

Series Name : PH-nA打K脚

Product Name :

Part NO:

SCALE	SHEET	REV.
1:1	1/1	A1

范围	>0-3	>3-18	>18-50	>50-100
公差	±0.15	±0.2	±0.3	±0.5