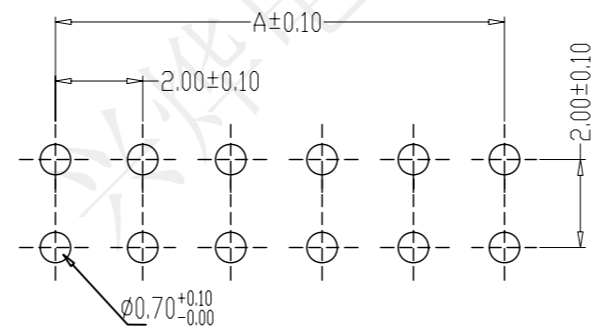
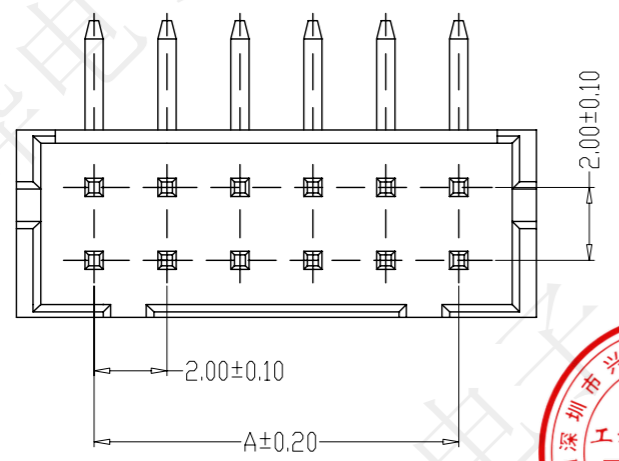
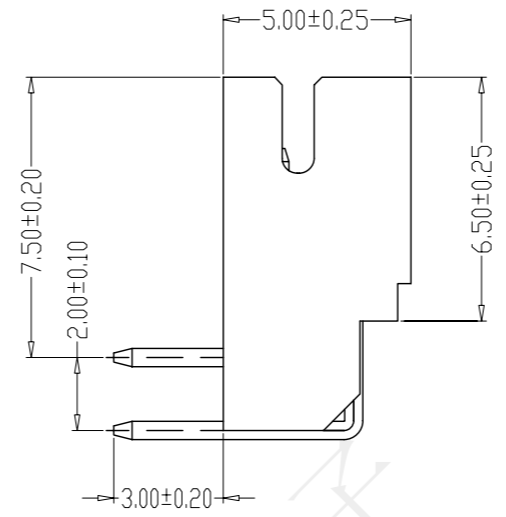
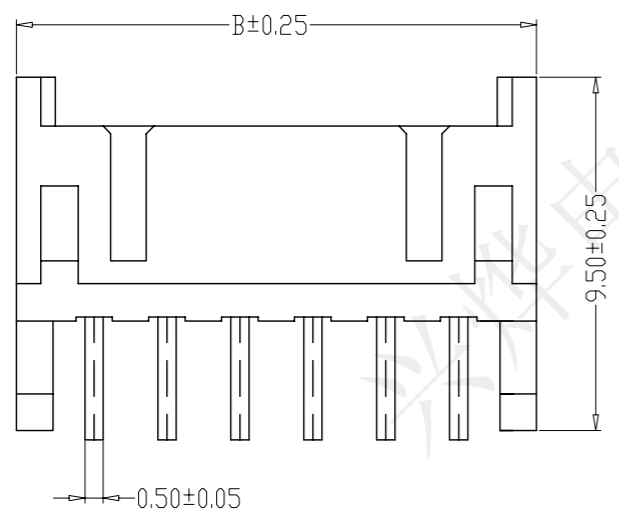


REV.	ECN NO.	DESCRIPTION	DRAW	APPD.	DATE
A	---				

受控文件

Operating temperature: -25°C~85°C
Rated loading: 2A 250V AC, DC
Contact resistance: 20mΩ Max
Insulation resistance: 1000MΩ Min
Withstanding voltage: AC 800V (50HZ)/min
Material: PA46, UL94V-0
PIN brass Tin-plated



PCB LAYOUT

PIN数	料号	尺寸	
		A	B
2X2AW	CZH15337	2.00	6.00
2X3AW	CZH15338	4.00	8.00
2X4AW	CHB15339	6.00	10.00
2X5AW	CZH15340	8.00	12.00
2X6AW	CZH15341	10.00	14.00
2X7AW	CZH15342	12.00	16.00
2X8AW	CZH15343	14.00	18.00
2X9AW	CZH15344	16.00	20.00
2X10AW	CZH15345	18.00	22.00
2X11AW	CZH15346	20.00	24.00
2X12AW	CZH15347	22.00	26.00
2X13AW	CZH15394	24.00	28.00
2X14AW	CZH15395	26.00	30.00
2X20AW	CZH15348	38.00	42.00



深圳市兴烨电子有限公司
ShenZhen XingYe Electronics co., Ltd

TOLERANCE		
.XX ±0.30	X.° ±2°	APPD: 陈爱光
.XX ±0.20	x° ±1°	CHED: 施立敏
.XXX ±0.10	.XX° ±0.5°	DRAW: 马洪飞
UNITS	mm	

Series Name: PHD-2*nAW

Product Name:

Part NO:

SCALE	SHEET	REV.
1:1	1/1	A1