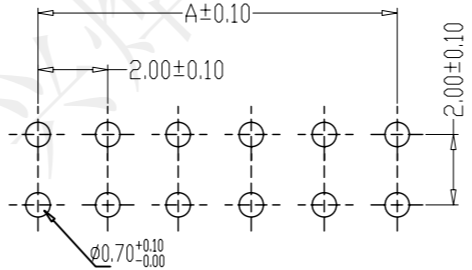
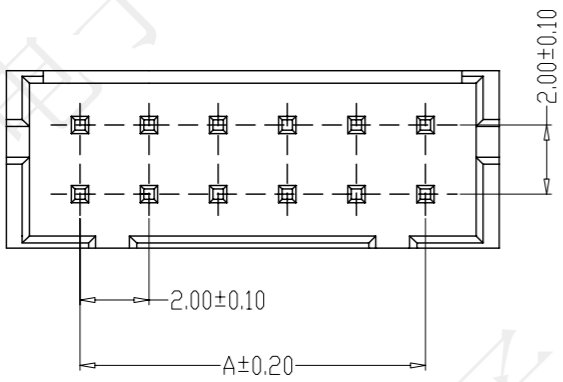
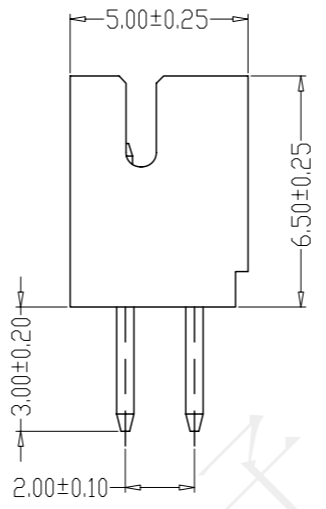
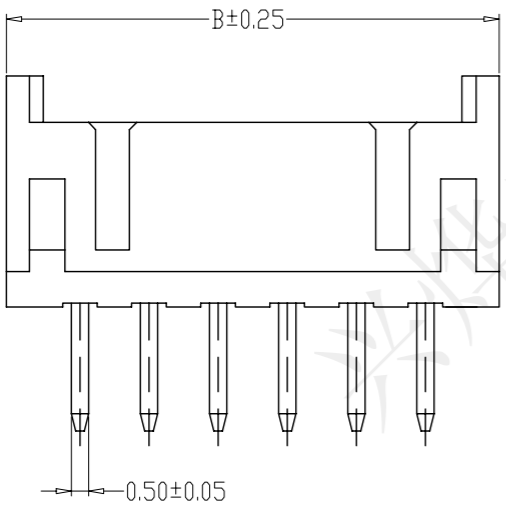


REV.	ECN NO.	DESCRIPTION	DRAW	APPD.	DATE
A	---				

受控文件



Operating temperature: -25°C~85°C
 Rated loading: 3A 250V AC, DC
 Contact resistance: 20mΩ Max
 Insulation resistance: 1000MΩ Min
 Withstanding voltage: AC 800V (50HZ)/min
 Material: PA46, UL94V-0
 PIN brass Tin-plated



PCB LAYOUT

PIN数	料号	尺寸	
		A	B
2X2P	CZB15302	2.00	6.00
2X3P	CZB15303	4.00	8.00
2X4P	CZB15304	6.00	10.00
2X5P	CZB15305	8.00	12.00
2X6P	CZB15306	10.00	14.00
2X7P	CZB15307	12.00	16.00
2X8P	CZB15308	14.00	18.00
2X9P	CZB15309	16.00	20.00
2X10P	CZB15310	18.00	22.00
2X11P	CZB15311	20.00	24.00
2X12P	CZB15312	22.00	26.00
2X20P	CZB15313	38.00	42.00

深圳市兴烨电子有限公司
 ShenZhen XingYe Electronics co., Ltd

Series Name : PHD-2*N直针

Product Name :

TOLERANCE		
.XX ±0.30	X.° ±2°	APPD: 陈爱光
.XX ±0.20	x° ±1°	CHED: 施立敏
.XXX ±0.10	.XX° ±0.5°	DRAW: 马洪飞
UNITS	mm	

Part NO:

	SCALE	SHEET	REV.
	1:1	1/1	A1