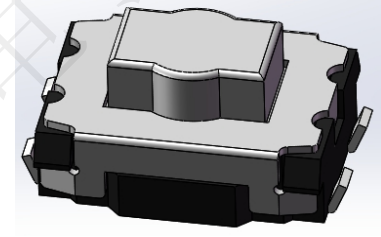
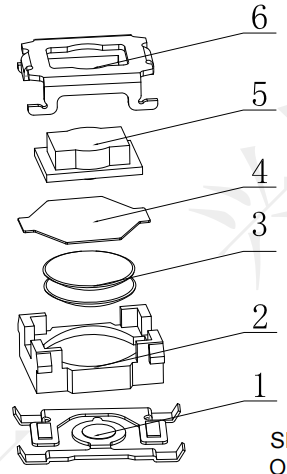
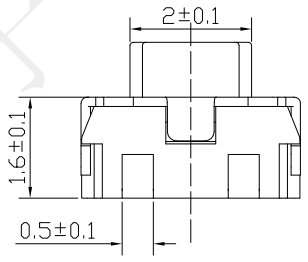
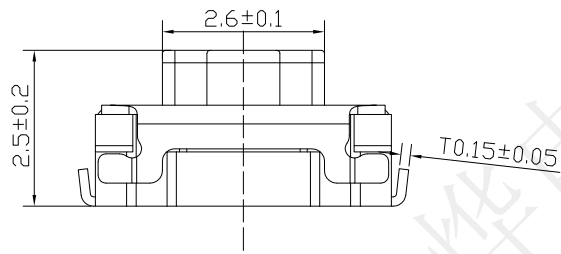
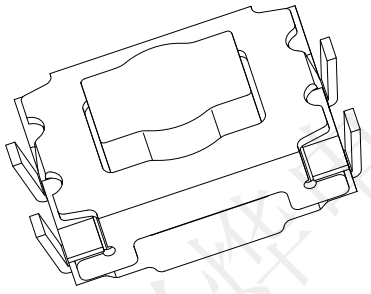
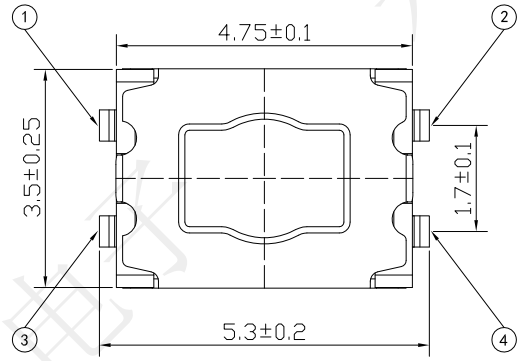


REV.	ECN NO.	DESCRIPTION	DRAW	APPD.	DATE
A	---				

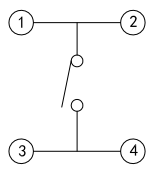
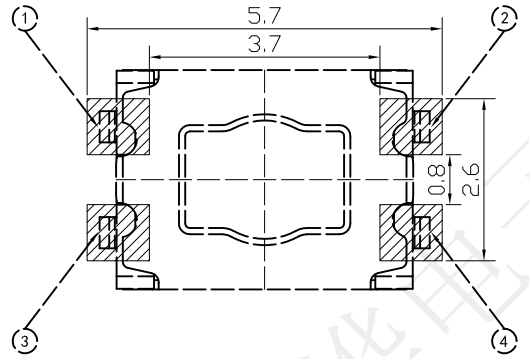


受控文件

**SPECIFICATION:**  
 Operating temperature: -40°C ~ 85°C  
 Rated loading: DC 12V 50mA  
 Contact resistance: 100mΩ Max  
 Insulation resistance: 100MΩ Min  
 Withstanding voltage: AC 250V (50Hz) /min  
 Electrical Life: 50,000 cycles  
 travel: 0.18±0.1mm  
 Operating force: 1.0±0.3N (100±30gf)   
 1.2±0.3N (120±30gf)   
 1.6±0.3N (160±30gf)   
 2.5±0.5N (250±50gf)



6	盖板	不锈钢	1	清洗
5	按钮	LCP	1	白/黑色
4	防尘膜	聚酰亚胺	1	黄色
3	弹片	不锈钢	1/2	镀银
2	基座	LCP	1	黑色
1	卡件	磷铜	1	镀银
项目 ITEM	名称 DESCRIPTION	材质 MATERIAL	数量 QTY	表面处理/颜色 FINISH/COLOR



CIRCUIT DIAGRAM

P. C. B MOUNTING PATTERN DIMENSION

		Series Name :								
		Product Description :								
TOLERANCE		3.5*4.7*2.5梅花钮四脚包脚								
XX ±0.30	X° ±2°	APPD: 陈爱光	Part No: TSZ22102							
.XX ±0.20	.X° ±1°	CHED: 施立敏	<table border="1"> <tr> <th>SCALE</th> <th>SHEET</th> <th>REV.</th> </tr> <tr> <td>1:1</td> <td>1/1</td> <td>A1</td> </tr> </table>		SCALE	SHEET	REV.	1:1	1/1	A1
SCALE	SHEET	REV.								
1:1	1/1	A1								
UNITS ±0.10	mm	DRAW: 马洪飞								