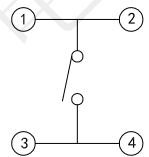
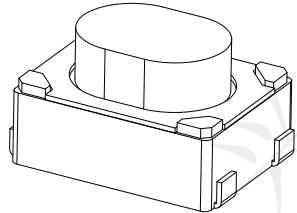
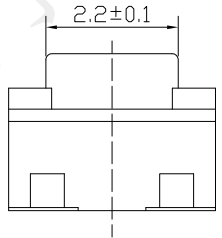
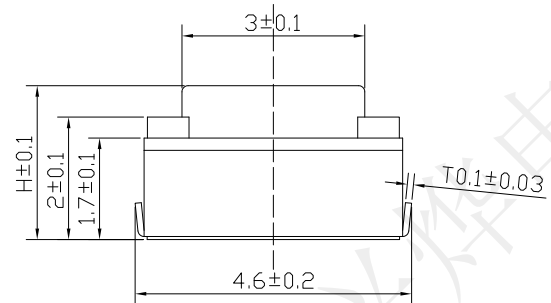
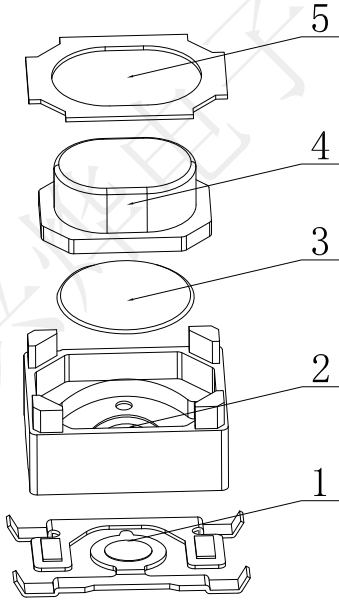
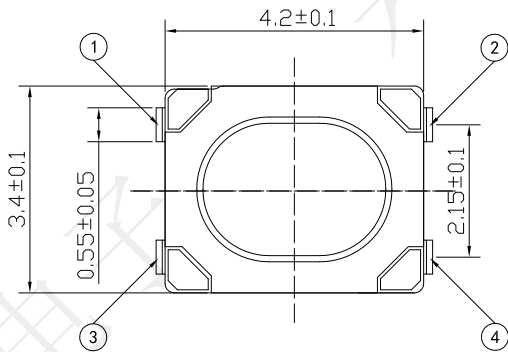


REV.	ECN NO.	DESCRIPTION	DRAW	APPD.	DATE
A	---				

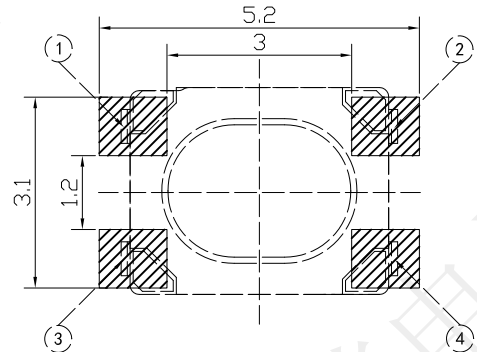


CIRCUIT DIAGRAM

受控文件



SPECIFICATION:
 Operating temperature: -40°C~85°C
 Rated loading: DC 12V 50mA
 Contact resistance: 100mΩ Max
 Insulation resistance: 100MΩ Min
 Withstanding voltage: AC 250V (50Hz) /n
 Operating force: 250±50gf Max
 Electrical Life: 50000 cycles



P. C. B MOUNTING PATTERN DIMENSION
 the following soldering are recommended
 for reflow soldering

序号 NO.	零部件名称 NAME	材料名称 MATERIAL	数量 QUANTITY	备注 REMARKS
1	卡件 TERMINAL	磷铜 PHOSPHOR COPPER	1	镀银 Ag PLATED
2	基座 CASE	LCP	1	白色 WHITE
3	弹片 CONTACT	SUS301	1/2	镀银 Ag PLATED
4	按钮 STEM	LCP/PPA	1	白色/黑色 WHITE/BLACK
5	盖板 COVER	磷铜 PHOSPHOR COPPER	1	镀铜锡 TIN PLATED COPPER

深圳市兴烨电子有限公司
ShenZhen XingYe Electronics co., Ltd

Series Name :
Product Name :
3. 4*4. 2长圆钮包脚

TOLERANCE		APPD: 陈爱光	Part No: TSZ22087						
X.X ±0.30	X.° ±2°	CHEd: 施立敏							
.XX ±0.20	X° ±1°	DRAW: 马洪飞	<table border="1" style="font-size: small;"> <tr> <th>SCALE</th> <th>SHEET</th> <th>REV.</th> </tr> <tr> <td>1:1</td> <td>1/1</td> <td>A1</td> </tr> </table>	SCALE	SHEET	REV.	1:1	1/1	A1
SCALE	SHEET	REV.							
1:1	1/1	A1							
.XXX ±0.10	.XX° ±0.5°								
UNITS	mm								

