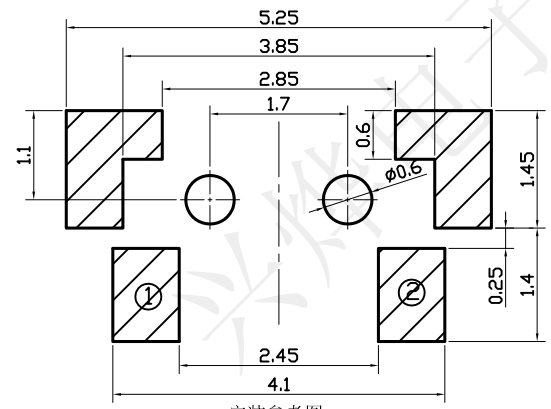
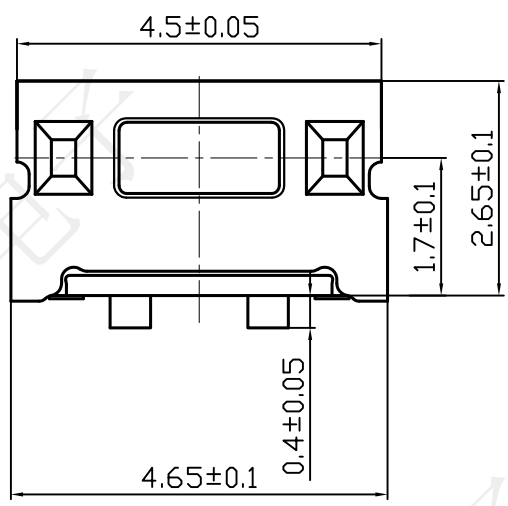
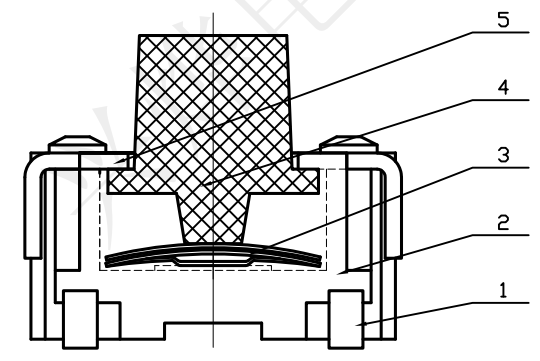
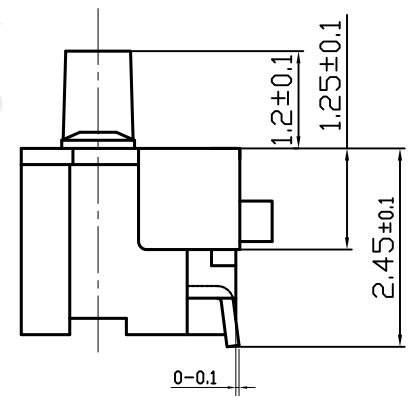
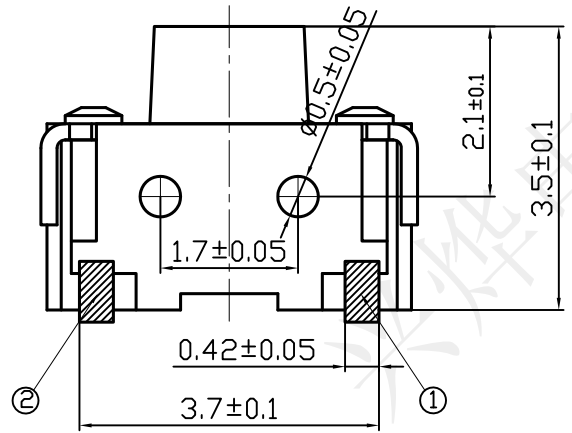


| | | | | | |
|------|---------|-------------|------|-------|------|
| REV. | ECN NO. | DESCRIPTION | DRAW | APPD. | DATE |
| A | --- | | | | |



SPECIFICATION:
 Operating temperature: -20 °C ~ 70 °C
 Rated loading: DC 12V 50mA
 Contact resistance: 100mΩ Max
 Insulation resistance: 100MΩ Min
 Withstanding voltage: AC 250V (50Hz) /min
 Operating force: 160±50gf Max
 Electrical Life: 30000 cycles
 Full Travel: 0.2±0.1mm

| | | | | |
|-----|----|------|-------|-------|
| ⑤ | 盖板 | 1PCS | 磷铜 | 电镀: 银 |
| ④ | 按钮 | 1PCS | LCP | 黑色 |
| ③ | 簧片 | 1PCS | 不锈钢复银 | 银色 |
| ② | 底座 | 1PCS | LCP | 白色 |
| ① | 卡件 | 1PCS | 磷铜 | 电镀: 银 |
| 序列号 | 名称 | 数量 | 材料 | 备注 |



受控文件

| | | | | | | | | | |
|------------|-----------|----------------------------------------------------|-------------------------------------------------------------------------------------------------------------------------------------|-------|-------|------|-----|-----|----|
| | | Series Name : | | | | | | | |
| | | Product Description : 2*4侧按160G柄宽2.0 0.5柱编带 加厚款 | | | | | | | |
| TOLERANCE | | Part NO: TSG22151 | | | | | | | |
| XX ±0.30 | X° ±2° | APPD: 陈爱光 | <table border="1"> <tr> <td>SCALE</td> <td>SHEET</td> <td>REV.</td> </tr> <tr> <td>1:1</td> <td>1/1</td> <td>A1</td> </tr> </table> | SCALE | SHEET | REV. | 1:1 | 1/1 | A1 |
| SCALE | SHEET | REV. | | | | | | | |
| 1:1 | 1/1 | A1 | | | | | | | |
| .XX ±0.20 | X° ±1° | CHED: 施立敏 | | | | | | | |
| .XXX ±0.10 | XX° ±0.5° | DRAW: 马洪飞 | | | | | | | |
| UNITS | mm | | | | | | | | |