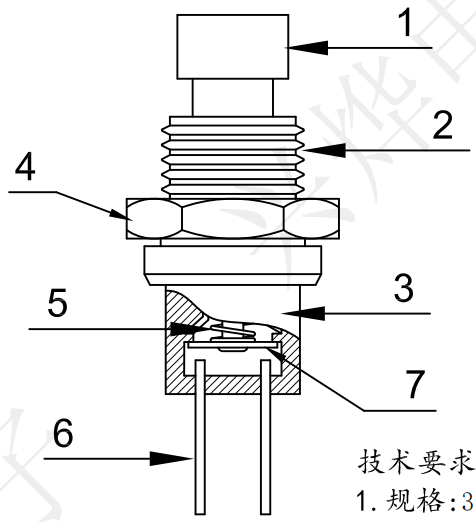
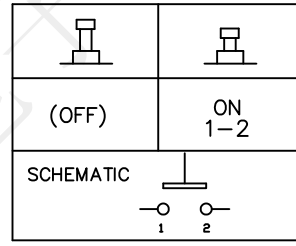
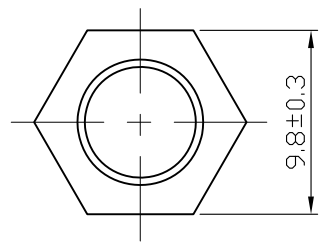
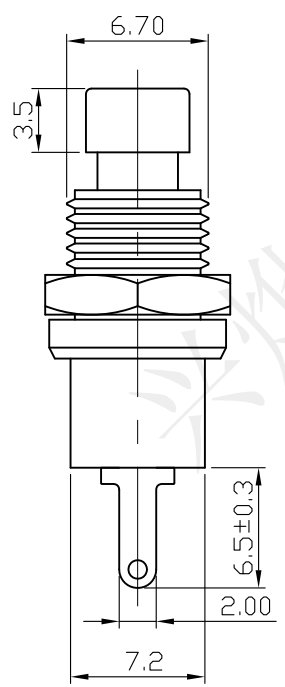
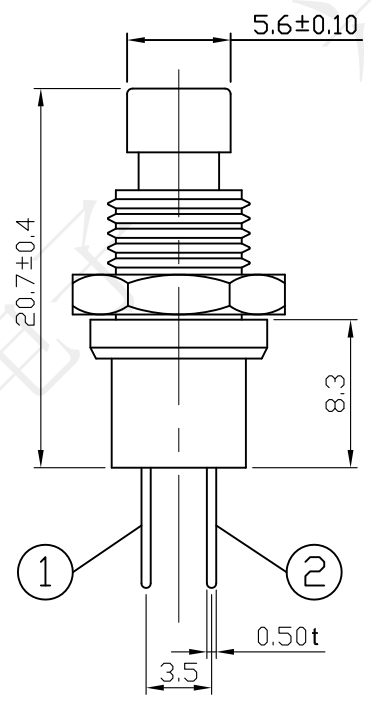


REV.	ECN NO.	DESCRIPTION	DRAW	APPD.	DATE
A	---				



- 技术要求:
- 规格: 3A 250VAC
 - 使用温度: -10°C --- $+75^{\circ}\text{C}$
 - 接触电阻: $\leq 0.05\ \Omega$
 - 绝缘电阻: $\geq 100\ \text{M}\ \Omega$
 - 耐压: AC1500V/min
 - 寿命: 100000次
 - 工作行程: 0.7 ± 0.3



ITEM	PART NAME	TER'NO.	QTY.	MATERIAL	FINISHING	REMARK
⑦	MOVABLE CONTACTOR	---	1	BRASS	Ag-PLATED	---
⑥	TERMINAL	---	2	BRASS	Ag-PLATED	---
⑤	SPRING	---	1	STAINLESS STEEL	---	---
④	HEXAGON NUT	---	1	BRASS	Ni-PLATED	---
③	BASE	---	1	PC+ABS	BLACK	---
②	BUSHING	---	1	BRASS	Ni-PLATED	---
①	HANDLE	---	1	POM	BLACK	---

受控文件

深圳市兴烨电子有限公司
ShenZhen XingYe Electronics co., Ltd

Series Name :

Product Description :
按钮开关PBS-110常开型/常闭型

Part NO:

TOLERANCE		APPD: 陈爱光 CHED: 施立敏 DRAW: 马洪飞	SCALE: 1:1	SHEET: 1/1	REV: A1
XX ±0.30	X° ±2°				
.XX ±0.20	.X° ±1°				
.XXX ±0.10	.XX° ±0.5°				
UNITS	mm				