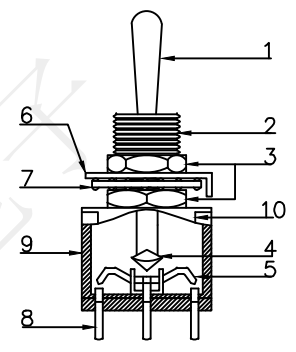
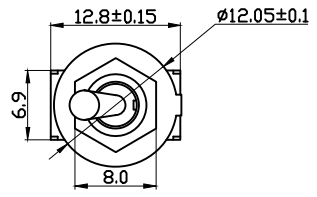
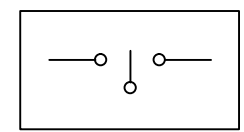
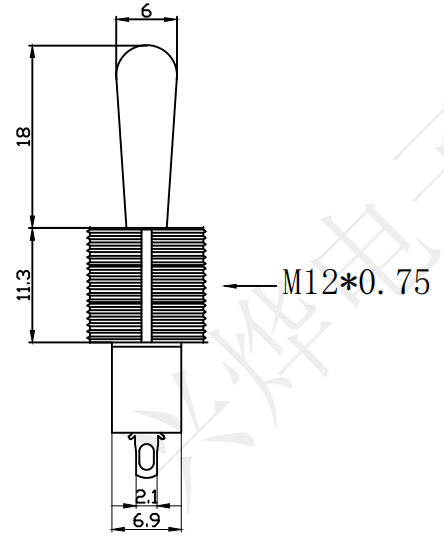
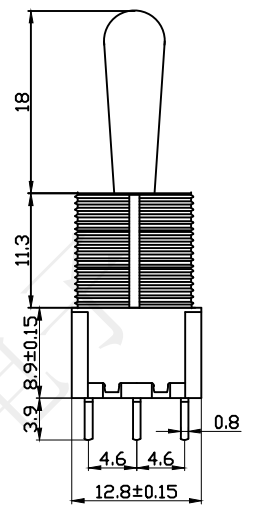


REV.	ECN NO.	DESCRIPTION	DRAW	APPD.	DATE
A	---				



Specification:

1. Rating: AC250V 2A/AC120V 5A
2. Contact Resistance: 50mΩ Max
3. Insulation Resistance: 100MΩ Min
4. Withstand Voltage: AC1000V(50-60Hz) For 1 Minute
5. Operation Force: 350±150gf
6. Life Test: 10000Cycles
7. Circuit Function: ON-OFF-ON



Circuit Diagram



受控文件

ITEM	PART NAME	MATERIAL	COLOR	FINISHING	REMARK
1	Handle	Brass		Plating Nickel	
2	Rocker actuator	Brass		Plating Nickel	
3	Nut	Brass		Plating Nickel	
4	Sliding axle	PBT	White		
5	Contact	Brass		Plating Silver	
6	Ring	Brass		Plating Nickel	
7	Washer	Stainless steel			
8	Terminal	Brass		Plating Silver	
9	Base	PBT	Red		
10	Shell	Stainless steel			

**深圳市兴烨电子有限公司**  
ShenZhen XingYe Electronics co., Ltd

Series Name :	
Product Description :	T004-M12-102 钮子开关
Part NO:	AKK20021
TOLERANCE	
XX ±0.30	X° ±2°
.XX ±0.20	.X° ±1°
.XXX ±0.10	.XX° ±0.5°
UNITS	mm
APPD: 陈爱光	
CHEd: 施立敏	
DRAW: 马洪飞	
SCALE	SHEET
1:1	1/1
REV.	A1