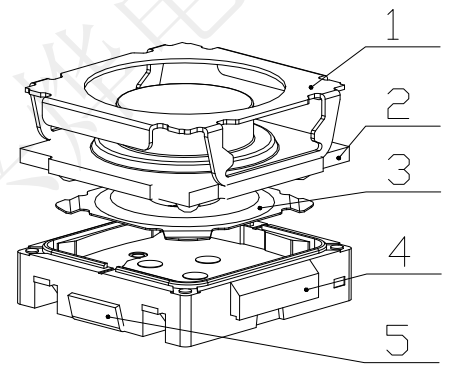
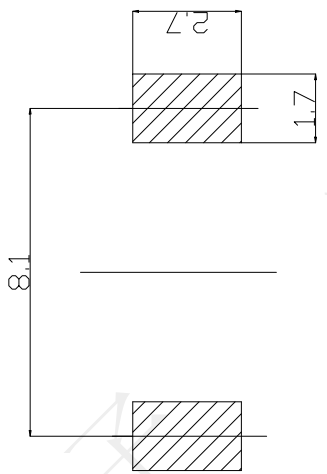
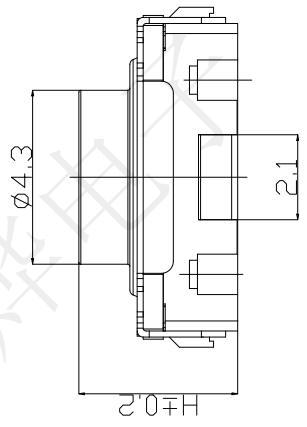
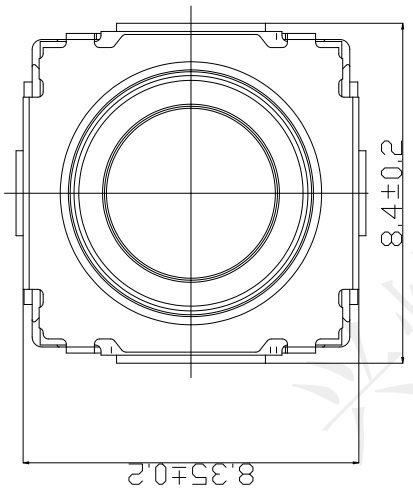
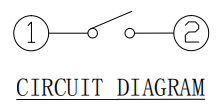


REV.	ECN NO.	DESCRIPTION	DRAW	APPD.	DATE
A	---				

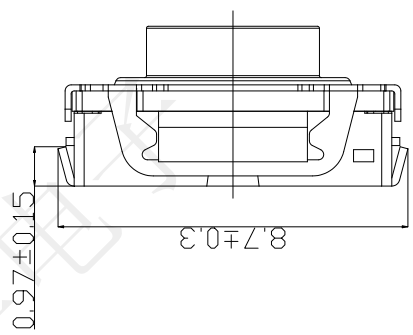


受控文件



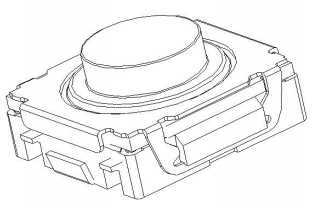
NOTE

- 1. RATING : DC 16V 50mA
- 2. CONTACT RESISTANCE : 100mΩ MAX
- 3. GENERAL TOLERANCE : ±0.3



SPECIFICATION:
 Operating temperature: -40 °C ~ 90 °C
 Rated loading: DC 16V 50mA
 Contact resistance: 100mΩ Max
 Insulation resistance: 100MΩ Min
 Electrical Life: 500000 cycles
 General tolerance: ± 0.3
 Travel: 0.9 ± 0.3mm

序号	零部件名称	数量	材料名称	表面处理	备注
1	COVER	1	SUS		
2	STEM	1	SILICONE		
3	CONTACT	1	SUS	Ag plating	
4	BASE	1	LCP		
5	TERMINAL	1	BRASS	Ag plating	



<p>深圳市兴烨电子有限公司 ShenZhen XingYe Electronics co., Ltd</p>		Series Name :													
		Product Description : 8*8汽车开关H3.95 700G													
TOLERANCE		APPD: 陈爱光													
Part NO: AKP20011		CHED: 施立敏													
<table border="1"> <tr> <td>XX</td> <td>±0.30</td> <td>X°</td> <td>±2°</td> </tr> <tr> <td>.XX</td> <td>±0.20</td> <td>.X°</td> <td>±1°</td> </tr> <tr> <td>.XXX</td> <td>±0.10</td> <td>.XX°</td> <td>±0.5°</td> </tr> </table>		XX	±0.30	X°	±2°	.XX	±0.20	.X°	±1°	.XXX	±0.10	.XX°	±0.5°	DRAW: 马洪飞	
XX	±0.30	X°	±2°												
.XX	±0.20	.X°	±1°												
.XXX	±0.10	.XX°	±0.5°												
UNITS	mm	SCALE	SHEET												
		1:1	1/1												
		REV.	A1												