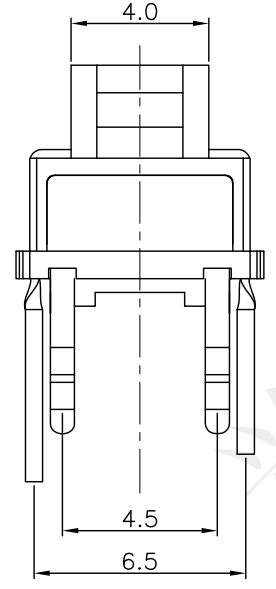
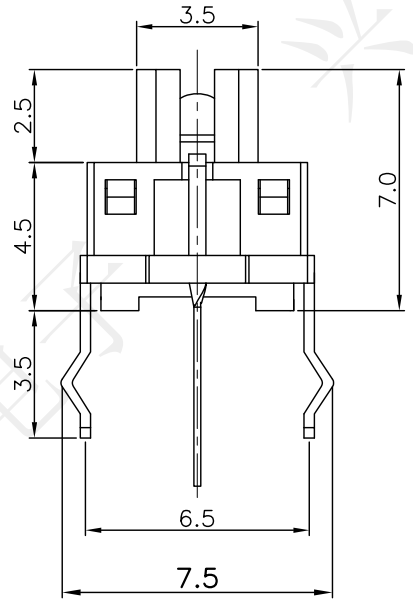
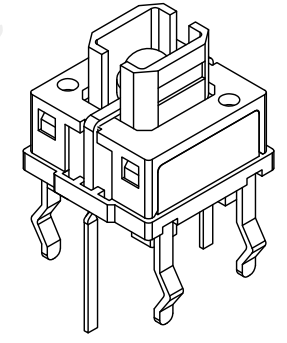
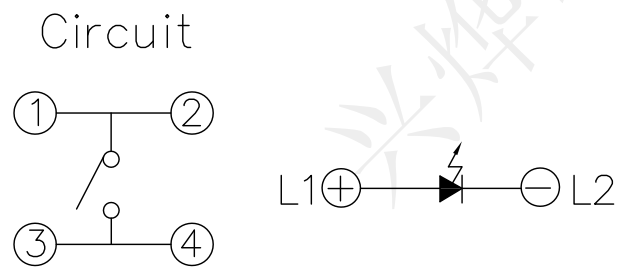
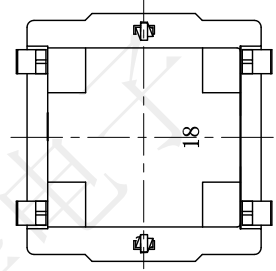
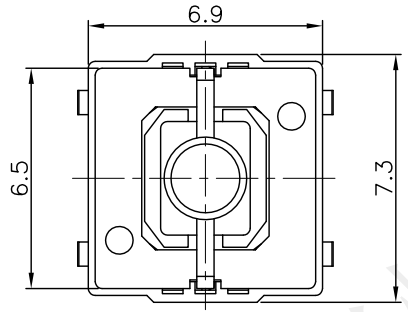
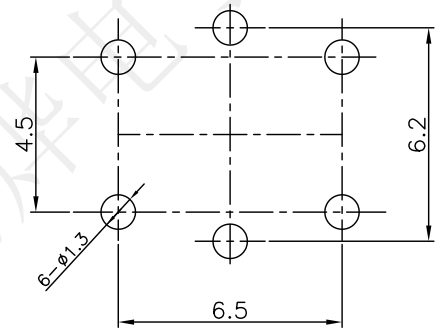


REV.	ECN NO.	DESCRIPTION	DRAW	APPD.	DATE
A	---				



P.C.B.Layout



6	COVER	PA6T
5	TERMINAL	Bronze Silver Plated
4	CONTACT	PBS
3	LED	GaAsP/GaP
2	BUTTON	PA66
1	HOUSING	PA66
ITEM	PART NAME	MATERIAL

受控文件

- NOTES:
- 1.RATING: 12VDC 50mA
  - 2.CONTACT RESISTANCE: 100mΩ Max
  - 3.INSULATION RESISTANCE: 100MΩ 250VDC FOR 1MIN
  - 4.DIELECTRIC STRENGTH: 250VAC(50/60Hz) FOR1MIN
  - 5.LIFE TEST:100,000 CYCLES
  - 6.OPERATION FORCE&TRAVEL: SEE SPECIFICATION

LED COLOR										
1	2	3	4	5	6	12	13	14	23	
Red	Yellow	Green	Blue	White	Pure Green	Red Yellow	Red Green	Red Blue	Yellow Green	

**深圳市兴烨电子有限公司**  
ShenZhen XingYe Electronics co., Ltd

TOLERANCE

X.X	±0.30	X°	±2°
XX	±0.20	X°	±1°
XXX	±0.10	XX°	±0.5°

UNITS mm

APPD: 陈爱光  
CHED: 施立敏  
DRAW: 马洪飞

Series Name :

Product Description :  
XY02-1MT6\*6\*7直插带灯开关

Part NO: AKH10029

SCALE	SHEET	REV.
1:1	1/1	A1