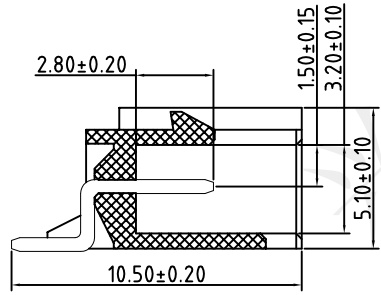
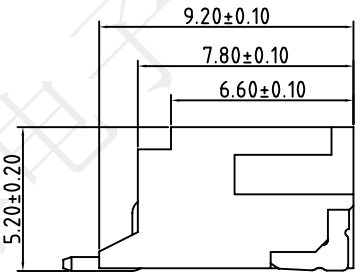
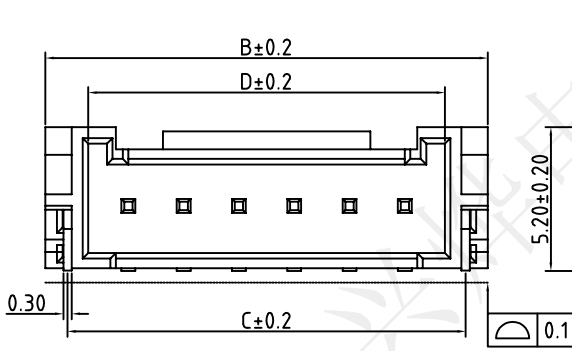
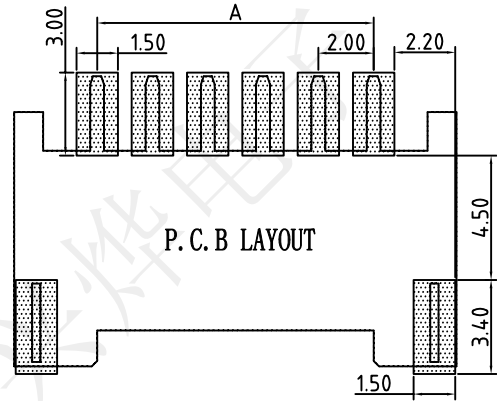
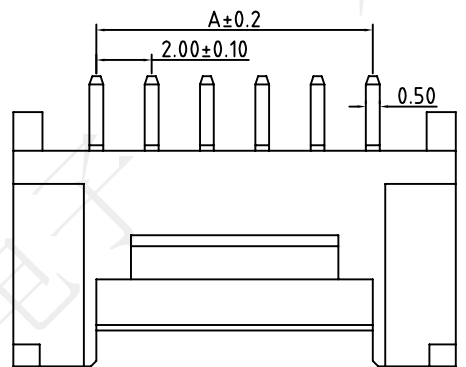


REV.	ECN NO.	DESCRIPTION	DRAW	APPD.	DATE
A	---				

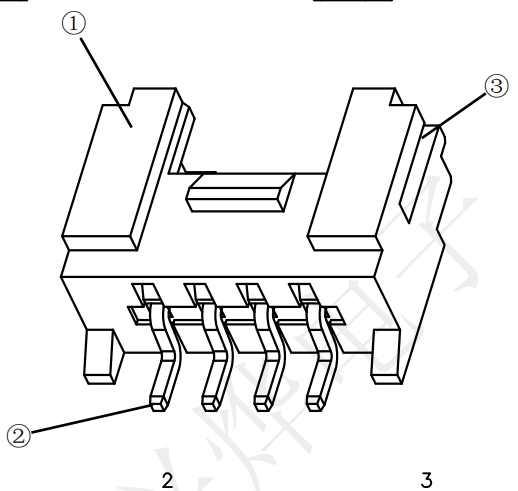


**SPECIFICATIONS**

- 1、Current Rating: 2A AC, DC
- 2、Voltage Rating: 250V AC, DC
- 3、Temperatuer Range: -25℃~+85℃
- 4、Contact Resistance: 20mΩ Max
- 5、Insulation Resistance: 800MΩ Min
- 6、Withstanding Voltang: 500V AC/minute
- 7、Material: LCP 6T,UL94V-0  
PIN brass Tin-plated  
Solder tad brass Tin-plated



料号	Pin	A	B	C	D
TZL24227	2	2.00	8.00	6.40	4.90
TZL24228	3	4.00	10.00	8.40	6.90
TZL24229	4	6.00	12.00	10.40	8.90
TZL24230	5	8.00	14.00	12.40	10.90
TZL24231	6	10.00	16.00	14.40	12.90
TZL24232	7	12.00	18.00	16.40	14.90
TZL24233	8	14.00	20.00	18.40	16.90
TZL24234	9	16.00	22.00	20.40	18.90
TZL24235	10	18.00	24.00	22.40	20.90
TZL24236	11	20.00	26.00	24.40	22.90
TZL24237	12	22.00	28.00	26.40	24.90
TZL24238	13	24.00	30.00	28.40	26.90
TZL24239	14	26.00	32.00	30.40	28.90
TZL24240	15	28.00	34.00	32.40	30.90
TZL24241	16	30.00	36.00	34.40	32.90



受控文件

**深圳市兴烨电子有限公司**  
ShenZhen XingYe Electronics co., Ltd

TOLERANCE		
X.X	±0.30	X° ±2°
.XX	±0.20	.X° ±1°
.XXX	±0.10	.XX° ±0.5°
UNITS	mm	

Series Name : 2.0-nP卧贴带扣编带  
Product Pescription :

Part NO:	SCALE	SHEET	REV.
	1:1	1/1	A1

APPD: 陈爱光  
CHED: 施立敏  
DRAW: 马洪飞